

# 4-92 Seat Belt Starter Interlock Systems

## GENERAL MOTORS

### DESCRIPTION

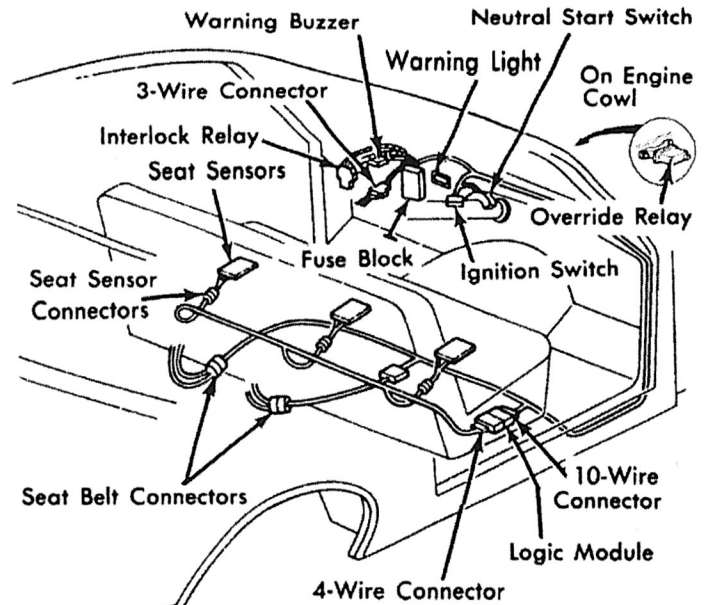
All models will have a seat belt warning system. Some early models will retain the interlock function which prevents engine start with belts unbuckled. Later models will not have the interlock function, allowing engine start with belts unbuckled, but the buzzer and warning light will still come on. Components consist of three seat sensors and buckle switches, electronic logic module, warning buzzer and light, interlock relay, override switch and related wiring. Seat sensors are either beam type located under seat cushion or pressure sensitive type under trim cover.

### OPERATION

Interlock logic module is always connected to battery power. When a seat sensor is actuated, module senses this and sends power to interlock relay coil opening the normally closed contacts. This opens circuit to starter solenoid preventing engine start. When seat belts are fastened, the module senses a circuit change and power to interlock relay is stopped and contacts close permitting engine start. Logic module prevents interlock relay from closing if buckle is activated before seat sensor.

**Bounce Feature** — Logic module has a bounce feature that keeps the interlock system from preventing a start when a buckled-in occupant momentarily lifts off seat activating seat sensor. The module would sense belt being fastened before sitting and prevent start. Delay time ranges 5 to 20 seconds before recording sequence violation.

**Start Procedure** — Sit on seat, fasten belts at occupied front seat positions, place automatic transmission in "P", or fully depress clutch pedal with manual transmission and set park brake. Then turn ignition switch to start engine. **NOTE** — Objects laying on front seat may prevent start.

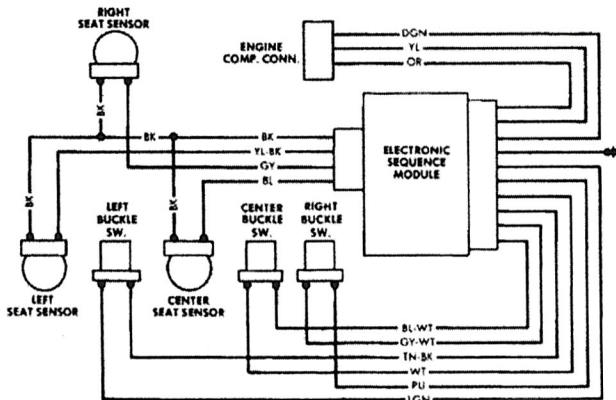


4BU13

**STARTER INTERLOCK COMPONENT LOCATIONS (TYPICAL)**

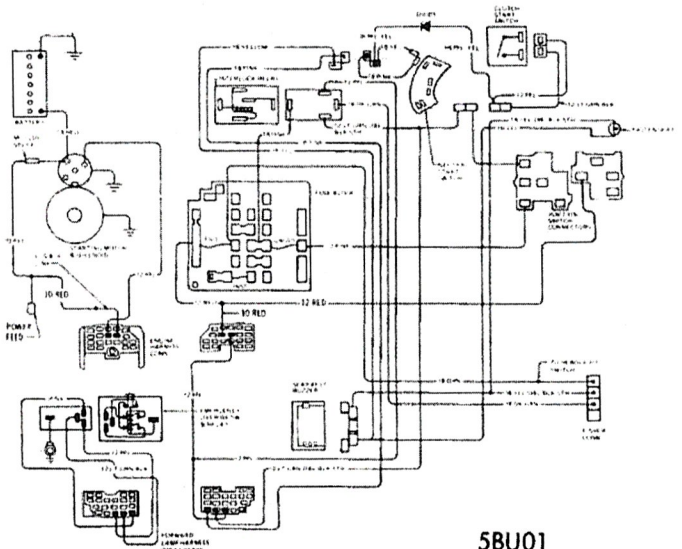
**Technician's Start** — Engine can be started with ignition switch providing seat and belt switches are not activated. With automatic transmission in "P" or manual transmission clutch pedal depressed, engine may be started without sitting on seat or fastening belts.

**Override Relay** — Permits engine start by-passing interlock relay in the event of system failure. To activate relay, turn ignition "ON" and press and release relay button in engine compartment. **CAUTION** — Press and release button, do not hold or tape button in depressed position. Engine may be started and restarted as necessary; relay remains activated until ignition key is turned "OFF".



5PO01

**G.M. STARTER INTERLOCK BODY DIVISION COMPONENTS**



5BU01

**BUICK APOLLO STARTER INTERLOCK WIRING**



# 4-94 Seat Belt Starter Interlock Systems

## GENERAL MOTORS (Cont.)

2) Disconnect override relay, turn ignition to "START" while sitting with belt unfastened; if starter fails to crank, replace override relay. If starter cranks, turn ignition off and ground DK. GREEN wire, then turn ignition to "START". If starter cranks, go to step 3); if not, go to Seat and Belt Testing.

3) With ignition "ON", connect test light to ground and PINK wire (Oldsmobile 88, 98 & Toronado, GREEN-DOUBLE WHITE STRIPE) on interlock relay near fuse block. Test light should be on; if not, repair open from interlock relay to ignition switch. Test continuity of DK. GREEN wire from interlock relay to 3-wire connector and repair if necessary. If starter does not crank with belt unfastened, system is satisfactory. If starter still cranks with belt unfastened, and PINK and DK. GREEN wires are satisfactory, replace interlock relay.

### SEAT & BELT SYSTEM TESTING

**NOTE** — Engine cranks when 3-wire connector near fuse block is disconnected or when turning ignition to "START" with seat belts unfastened and no one sitting on seats.

1) With ignition "ON", belts unfastened, 3-wire connector connected, press and release driver and passenger seat cushion. Interlock relay should click twice at each seat position. With two clicks at both positions, go to step 2); two clicks at one position only, go to step 5); and only one click or no click at both positions, go to step 7).

2) Sit on seat, hold seat belt release button in and connect belt. Relay should click when belt is fastened. **NOTE** — Holding release button prevents snap lock from making more noise than relay. Perform same test on opposite front seat position to determine which belt does not click relay when fastened. If relay clicks for one belt only, go to step 3). If relay does not click when belts are fastened, remove module from under seat and disconnect multiple connectors. Connect a self-powered

test light to ground and BLACK wire in 10-pin connector. If light comes on, replace module; if not, repair ground wire.

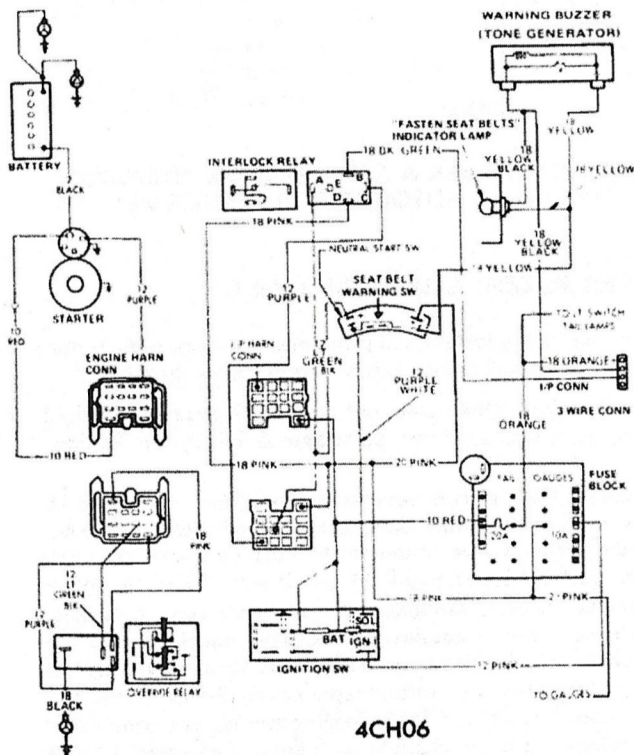
3) Turn ignition "OFF", move seat forward and disconnect seat belt wire connector at position where there was no click. Connect a self-powered test light to both terminals in belt side of wire connector and connect belt buckle. If light fails; on vehicles with electronic module, or light comes on; vehicles with mechanical relay module, replace defective seat belt and stop test if problem is corrected.

4) Reconnect seat belt wire connector, remove module and disconnect both multiple connectors. Connect a self-powered test light to the two wires in 10-pin connector for seat belt in question. If test light fails, repair open circuit in one or both wires leading from belt connector to 10-pin connector. If light comes on, connect tester to ground and BLACK wire in 10-pin connector. If light comes on, replace module; if light fails, repair ground connection BLACK wire to body. **CAUTION** — To prevent replacement module failure, be certain interlock relay or reminder buzzer is not shorted internally.

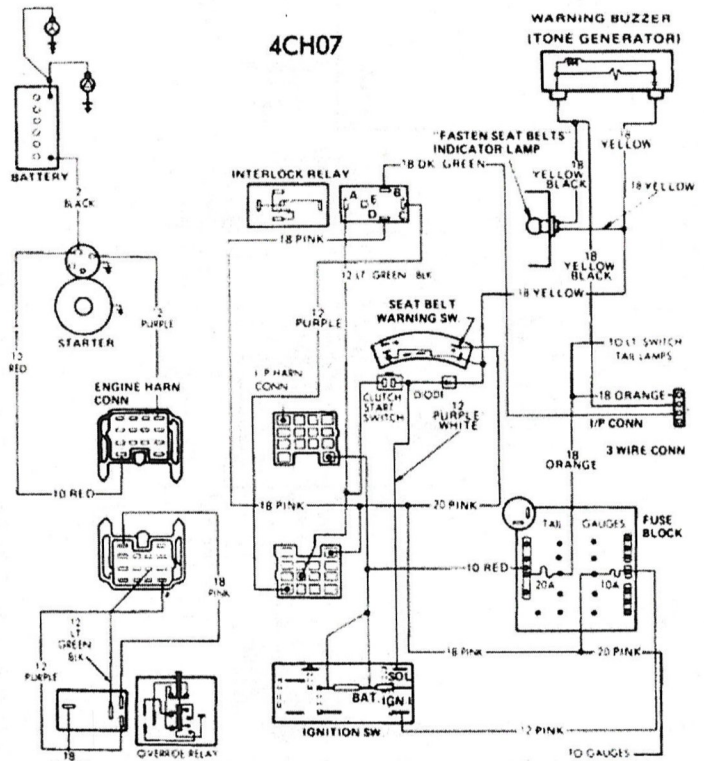
5) Disconnect seat sensor connector at seat position where two clicks cannot be heard. Connect self-powered test light to terminals in sensor side of connector. Press on seat position and replace seat sensor if light fails. If light comes on, go to step 6).

6) Reconnect seat sensor. Remove module from under seat and disconnect both module connectors. Connect self-powered test light to BLACK wire in 4-wire connector and to wire leading to seat sensor in question. Press and release seat cushion. If test light comes on, replace module; if not, repair open circuit in one or both wires from 4-wire connector to seat sensor. Stop tests if problem is corrected.

7) Disconnect 3-wire connector near fuse block. Remove module from under seat and disconnect module connectors. Connect self-powered test light to DK. GREEN wire in 10-pin connector and ground. Light on, repair short in wire between connectors. Light off, go to step 8).



**CHEVROLET STARTER INTERLOCK WIRING (AUTOMATIC TRANSMISSION)**



**CHEVROLET STARTER INTERLOCK WIRING (MANUAL TRANSMISSION)**

# Seat Belt Starter Interlock Systems 4-95

## GENERAL MOTORS (Cont.)

8) Connect self-powered test light to body ground and to each wire in 4-wire connector. Light on with any wire, repair short in wire to seat sensor. Light off for all wires, connect same test light to body ground and to black wire in 10-pin connector. Light on, replace module; light off, repair ground connection.

### SEAT BELT BUZZER & LIGHT WILL NOT OPERATE

**NOTE** — In the following test, the procedure varies depending on transmission type, shift lever design and vehicle model. In each case with seat belt unfastened, light and buzzer should operate; if not, continue to step 1).

**With Automatic Transmission** — Turn ignition "ON", leave belt unfastened and shift transmission to "D".

**With Floor Or Column Shift Man. Trans. (Pontiac LeMans, Grand AM, & Firebird Only)** — Park brake released and ignition switch to "START". **NOTE** — Clutch switch does not affect buzzer or light.

**With Column Shift Manual Transmission** — Set shift lever out of neutral and/or clutch depressed with ignition switch to "START".

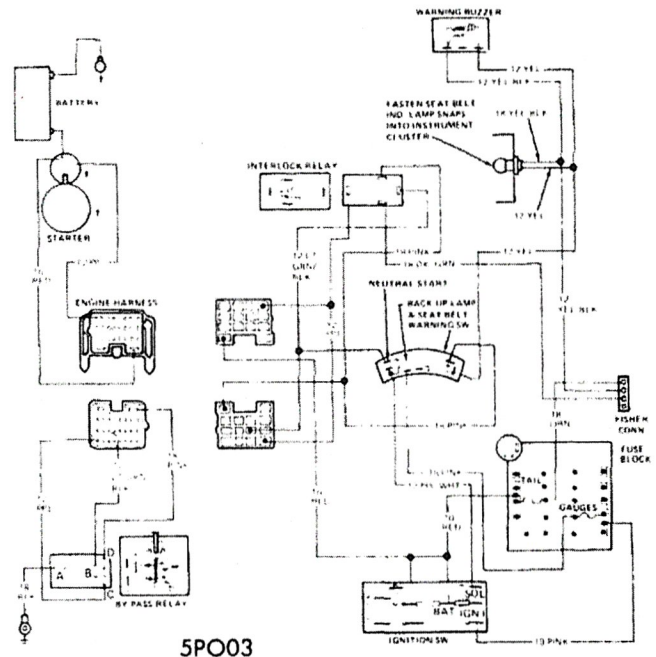
**With Floor Shift Manual Transmission** — Shift lever in any position, park brake "OFF" and ignition switch "ON" with clutch depressed.

1) Check the following fuses and service as required; Gauge, body (Cadillac); clock, turn signal (Buick); tail lights, clock, gauge and radio (Oldsmobile); tail light, gauge (Chevrolet). If original problem still exists, continue to step 2).

2) Without disconnecting 3-wire connector near fuse block, ground the YELLOW wire. Buzzer and light off, see next test; if not, see step 4).

3) Connect a test light to ground and check PINK wire at neutral safety switch. Test light off, repair open in PINK wire circuit from fuse block to neutral safety switch. Test light on, unplug warning buzzer and check YELLOW wire to buzzer with test light. Test light remains on, replace buzzer or warning light as required. Light off, repair open in YELLOW wire from buzzer to neutral safety switch.

4) Ground YELLOW-BLACK wire at 10-wire connector on module without removing connector. If buzzer and light remain on, replace module. If buzzer and light go off, repair open circuit in same wire between module and 3-wire connector.



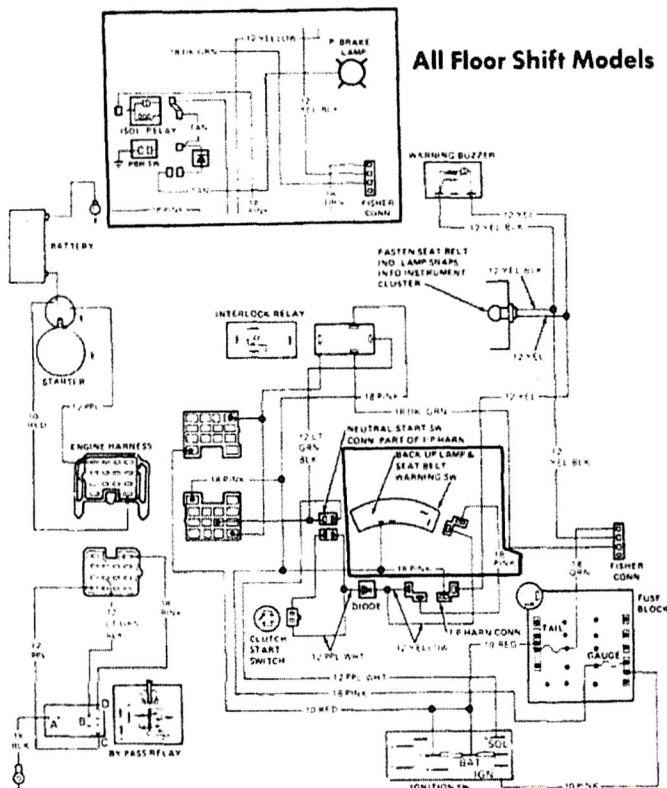
5PO03  
PONTIAC VENTURA & ASTRE STARTER INTERLOCK WIRING — AUTOMATIC TRANSMISSION

### SEAT BELT BUZZER & LIGHT REMAIN ON

**NOTE** — Seat belts fastened in sequence and engine starts normally. With manual transmission, release park brake.

1) Turn ignition "ON", step out of car, if buzzer and light come on, go to step 2); if not, go to Seat & Belt System Testing.

2) Disconnect 3-wire connector and repeat tests as in step 1). If buzzer and light remain on, check YELLOW-BLACK wire circuit leading from 3-wire connector to warning buzzer and belt warning light. If buzzer and light go off with 3-wire connector disconnected, remove module and disconnect 10-wire connector. Reconnect 3-wire connector; if buzzer and light stay on, repair YELLOW wire between 3-wire and 10-pin connector. If buzzer and light go off after reconnecting 3-wire connector, replace module. **NOTE** — With Pontiac models, test center seat switch before replacing module as follows: Reconnect 10-wire connector and disconnect center seat switch. If buzzer and light go off, replace seat switch; if not, replace module.



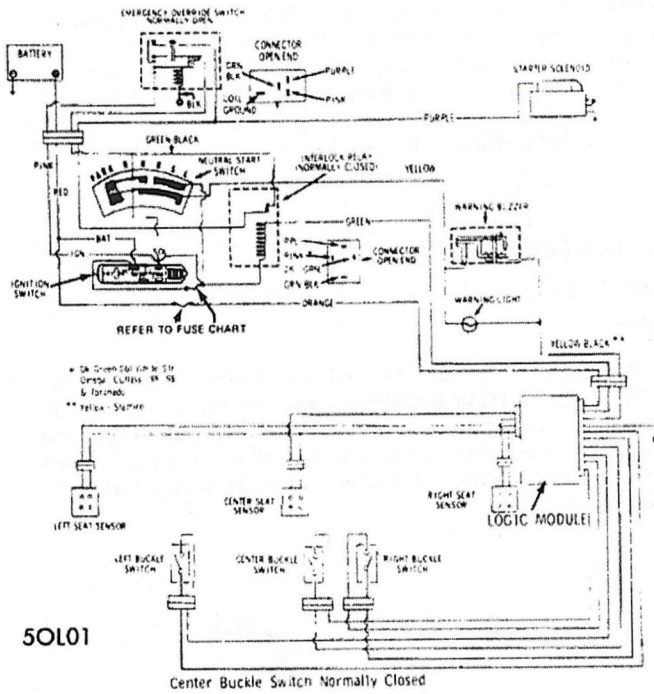
5PO02

Ventura Column Shift

PONTIAC VENTURA & ASTRE STARTER INTERLOCK WIRING — MANUAL TRANSMISSION

# 4-96 Seat Belt Starter Interlock Systems

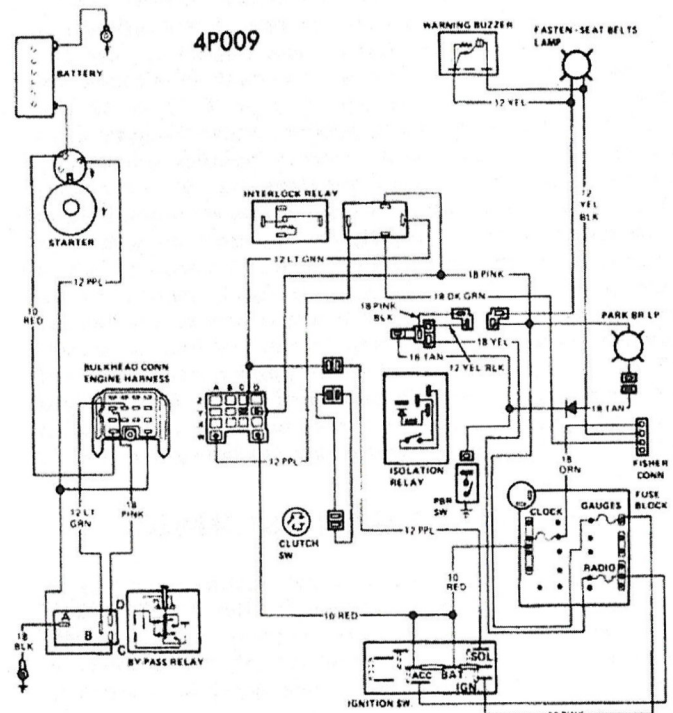
## GENERAL MOTORS (Cont.)



**OLDSMOBILE STARTER INTERLOCK WIRING**

**STARTER DOES NOT CRANK & SEAT BELT LIGHT & BUZZER DO NOT OPERATE (CADILLAC ONLY)**

Disconnect interlock diode connection near fuse block. Using a self-powered test light, test diode continuity in both directions. If tester lights both ways, replaced diode. If diode lights only in one way, check BLACK wire leading from diode harness connector for an open circuit.



**PONTIAC (EXC. VENTURA & ASTRE) STARTER INTERLOCK WIRING - MANUAL TRANSMISSION**

## REMOVAL & INSTALLATION

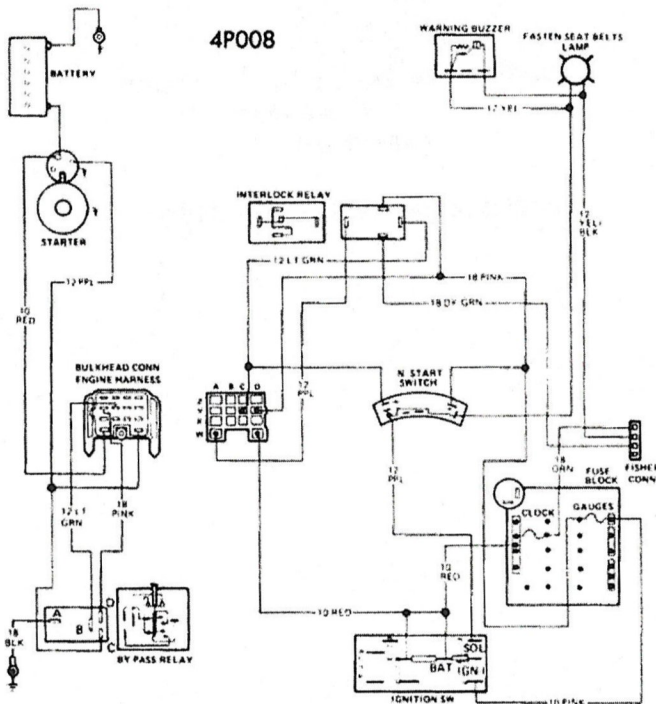
### LOGIC MODULE

**Logic Module Location** - On Corvette, module is near left rear quarter panel inside vehicle under carpet. On Camaro and Firebird, module is behind glove box, or if equipped with air conditioning on upper right cowl under instrument panel. On all other models, module is under passenger side of front seat.

**Removal & Installation** - Raise power operated seat to full up limit, or on other seats if necessary, detach seat at floor pan and tilt seat rearward. Disconnect module from retainer with a small screwdriver from under front seat bottom frame. Remove deflector from 4-wire connector. Disconnect 4-wire and 10-wire connectors from module using suitable tool (J-24388 or BT-7402-A). To install module, reverse removal procedure. **CAUTION** - To prevent replacement module failure, be certain interlock relay or reminder buzzer are not shorted internally.

### SEAT SENSORS

**Beam Type (All Bucket Seats)** - Disconnect sensor feed wire connector under passenger seat. Disconnect seat assembly from floor pan or seat adjusters and tilt seat rearward. Disconnect sensor feed wire clip from seat frame and both ends of sensor from spring wire unit. To install sensor, reverse removal procedure making certain sensor is attached to top and at offset of third wire on spring and wire units.



**PONTIAC (EXC. VENTURA & ASTRE) STARTER INTERLOCK WIRING - AUTOMATIC TRANSMISSION**

## GENERAL MOTORS (Cont.)

**Pressure Sensitive Type (All Full Width, 40-40, 60-40, and 50-50 Seats)** — Where present, remove seat cushion side panel and control switch. Remove seat adjuster-to-floor pan attaching bolts (driver's side only on Cadillac 60-40 seat) and tilt seat rearward (passenger seat only on 40-40, 60-40, and 50-50 seats). On all split seats, remove outboard adjuster from seat frame. On bench seats, remove adjuster adjacent to affected sensor. Detach trim cover from side of seat cushion sufficiently to gain access to sensor. Disconnect sensor wire at connector under seat. Carefully break cement bond securing sensor to foam pad; then pull sensor wire up through hole in foam pad and remove sensor. To install sensor, reverse removal procedure. Prior to installing a new sensor, remove adhesive protective paper from bottom surface of sensor. **NOTE** — If repositioning used sensor, apply a small amount of trim cement to cushion and bottom of sensor. Then apply a strip of waterproof body tape over sensor to secure during trim reinstallation. Do not apply tape too tightly over switch.

### INTERLOCK & BUZZER DISCONNECT

Disconnecting the interlock and buzzer must be done only at the request of the owner of the vehicle. The "FASTEN SEAT BELT" warning light must remain functional. If the interlock system has a malfunction, correction of the problem is recommended before attempting to disconnect the interlock or buzzer.

### DELETING SEAT BELT WARNING BUZZER

Disconnect negative battery cable, then proceed as follows:  
**Buick** — Remove buzzer/tone generator from fuse block or connector. **NOTE** — On all models except Skyhawk, Skylark and Apollo series, remove terminal with two YELLOW/BLACK tracer wires from multiple connector into which the tone generator is plugged. Tape this terminal, then reinstall tone generator.

**Cadillac** — Remove lower steering column cover and remove buzzer and connector from left side body bracket. Disconnect buzzer from harness then reinstall connector to bracket and replace steering column cover.

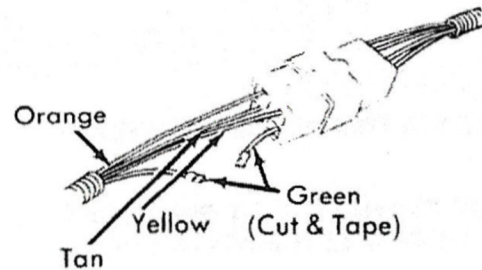
**Chevrolet & Pontiac** — Remove buzzer/tone generator from fuse block or connector.

**Oldsmobile** — On Omega and Starfire, remove buzzer from connector. On all other models, if not equipped with low coolant warning and heavy duty cooling, disconnect and remove buzzer/tone alarm from fuse panel. If equipped with low coolant warning and heavy duty cooling, cut YELLOW wire with TWO BLACK tracers behind connector and tape ends.

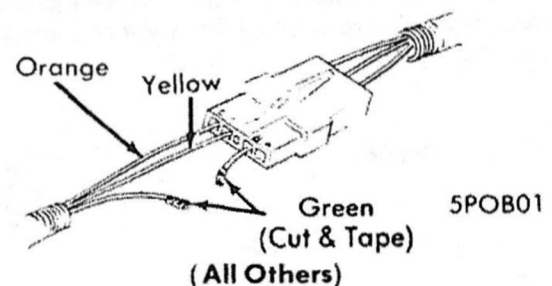
### DELETING INTERLOCK FUNCTION

**NOTE** — Some models are not equipped with the interlock function.

**All Models** — Locate interlock harness connector (w/ORANGE, YELLOW & GREEN wires) located under left side of instrument panel on or near the fuse block. Cut and tape the GREEN wire on body harness side of connector. Connect negative battery cable and check operation of system and warning light.



(Vega, Astre, Monza, Starfire, Skyhawk)



### INTERLOCK HARNESS CONNECTORS